



The VARI*LITE® VL2000™ Spot luminaire is based on the groundbreaking technology used in some of the most popular and innovative spotlights in the history of automated lighting. The VL2000 Spot luminaire features an upper enclosure that houses the control electronics as well as a power factor corrected arc power supply for the 700 watt short arc lamp. The VL2000 Spot luminaire also features a zoom lens system and rotating gobos. The luminaire is small, fast, lightweight and virtually silent.

The VL2000 Spot luminaire accepts a wide variety of colors and gobos. Two fixed wheels are included, one factory configured for gobos and the second for color filters. A standard palette of gobos and colors is provided with the unit. Custom gobos are also available.

The VL2000 Spot luminaire can be controlled from a wide variety of DMX-512 consoles.

VL2000™ Spot

l u m i n a i r e

Programmable Functions

Zoom Optics:	Continuously variable field angle from 19° to 43°, programmable over a timed range of 2 seconds to 20 minutes.
Beam Size Control:	In addition to the zoom optics, a mechanical iris provides continuous beam size control for both rapid changes and smooth timed beam angle changes.
Intensity Control:	Full field dimming designed for both smooth timed fades and strobe effects.
Color/Fixed Gobo Wheels:	Two wheels, each providing 11 easily loaded positions for dichroic color and gobo choices.
Rotating Gobo Wheel:	Six-position rotating gobo wheel with five rotatable, indexable gobo positions and one open position.
Edge & Pattern Focus:	Variable beam focus to soften edges of gobos or spots.
Pan & Tilt:	Smooth, timed continuous motion by way of a three-phase stepper motor system.
Range:	Pan - 540°, Tilt - 270°.
Accuracy:	0.3° resolution.

Description

Source:	700 Watt Short Arc Lamp	Color Temperature	5600°K
		CRI	80
Output:	15,500 lumens.		
Power Requirements:	Standard AC power distribution from 90-264 VAC, 50/60 Hz. The unit requires 4 to 12 A depending on the AC supply voltage.		
Reflector:	Precision glass reflector with dichroic cold mirror coating.		
Operational Temperature:	-20° to 122°F (-29° to 50°C). Note: Derate to 113°F (45°C for operation below 100 VAC).		
Cooling:	Forced air cooling.		
Control:	Completely compatible with a wide variety of DMX-512 consoles.		
Mounting Position:	The VL2000™ Spot luminaire can be mounted and operated in any orientation.		
Spacing:	Hangs on 19.0 in. (48.3 cm) centers.		
Weight:	55 lbs (25 kg) with rails.		

Accessories

71.2528.0700	700 Watt Short Arc Lamp
22.9620.0194	Safety Cable Assembly
55.6840.0001	Truss Hook, Mega-Clamp, Round and Square
55.6841.0001	Truss Hook, Mega-Claw for 2" Round Tube



VARI*LITE®
Express yourself.
a Genlyte company

VL2000™ Spot

l u m i n a i r e

Specifications

The unit is an integrally designed, remote-controlled, motorized spot luminaire. The head, yoke and enclosure housings are constructed of aluminum alloy, plastic and steel for lightweight strength and durability. Virtually silent fans provide forced-air cooling for internal components. The rear cap is removable, providing easy access to the lamp for replacement.

A single AC input cable along with two, five-pin DMX-512 compatible connectors (in and through) are provided. The unit can be controlled by a wide variety of DMX-512 consoles. In addition, a built-in Master/Slave function enables operation of multiple luminaires without a control console.

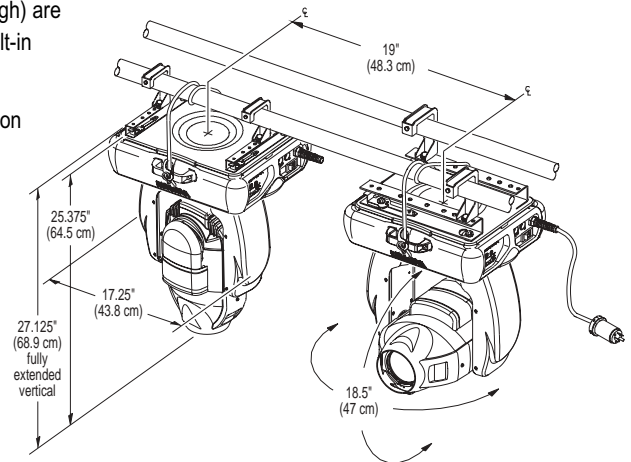
Each unit is equipped with multiple on-board processors providing diagnostic and self-calibration functions as well as internal test routines and software update capabilities.

The unit contains two independent three-phase stepper motors to provide movement of the head through 540° in the horizontal plane (pan) and 270° in the vertical plane (tilt). The pan and tilt mechanisms are belt-driven, providing positional resolution and repeatability of 0.3° on either axis.

Two continuously spinning, removable filter wheels are integral to the luminaire. Each wheel holds up to eleven interchangeable dichroic color or gobo choices to allow for custom configurations. In addition, a gobo wheel containing five individually rotating, indexable gobos is included. Its operation is achieved by two motors, which provide independent drive regardless of the direction of movement. All five rotating gobos are easily interchangeable to allow further customization of the unit. (A wide selection of color and patterned gobos is available from Vari-Lite.)

The unit contains an aluminum dimmer blade that provides full field dimming and allows for smooth timed fades and fast blackouts, as well as variable strobe effects. A mechanical iris provides continuous beam size control for both rapid changes and smooth timed beam angle changes. Variable beam focus is provided to soften the edges of gobos or spots and to provide gobo morphing. A powerful zoom lens system offers an adjustable field angle from 19° to 43°. When used in combination with the beam size iris, the unit can project a beam with a field angle of 8°.

The unit is ETL and ETLc certified and CE marked. Exterior finish is black.



Photometric Data*

VL2000 Spot Luminaire - 700W Metal Halide					
Zoom Lens Positions	Candela* (cd)	Beam Angle (DEGREES)	Beam Diameter TN ¹	Field Angle (DEGREES)	Field Diameter TN ¹
NFOV	297,000	15.0°	.263	18.5°	.326
MFOV	104,000	25.0°	.443	30.5°	.545
WFOV	50,000	34.5°	.621	42.5°	.777

¹ Multiply distance by Tn to determine coverage.

To calculate center beam Illuminance (I), at a specific distance (D): $I = \frac{cd}{D^2}$
 — if (D) is in feet, (I) is in foot candles
 — if (D) is in meters, (I) is in lux

* Note:
 All data taken with seasoned light source at 20 hours of life.
 Fixture output = 15,500 lumens.

Vari-Lite

10911 Petal Street




Dallas, TX 75238

1.877.VARILITE

fax: 214.647.8038

www.vari-lite.com

VARI*LITE
 Express yourself.
 a Genlyte company

© 2005. Printed in the U.S.A. Specifications are subject to change without notice. VARI*LITE® is a registered trademark of Genlyte Thomas Group LLC. VL2000™ is a trademark of Genlyte Thomas Group LLC. VARI*LITE® automated lighting equipment is made in the U.S.A. VARI*LITE® products are protected by patents granted and pending in the U.S. and other countries.



03/05, 5K